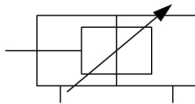


## C(D)85, ISO Standard Cylinder, Double Acting, Single Rod CD85N25-50C-B

### Data Sheet

The C85 series conforms to ISO 6432 and CETOP RP52P. The C85 is available in bore sizes 8mm through 25mm with standard strokes ranging from 10mm through 300mm. A unique rod packing design prevents entry of dust and the effectiveness of the seal is such that the C85 is suitable for use in extremely dusty environments. With abrasion resistant packings and replaceable nose seals, the C85 offers exceptional service life.

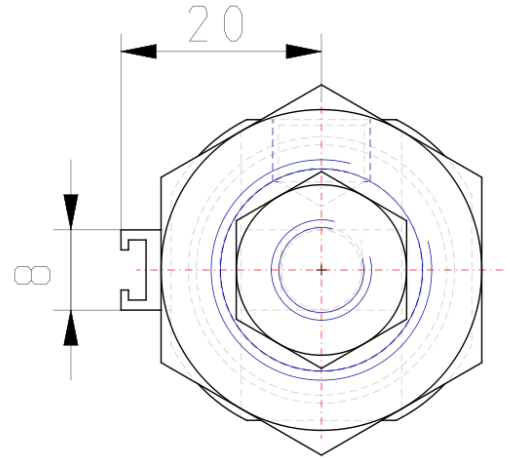
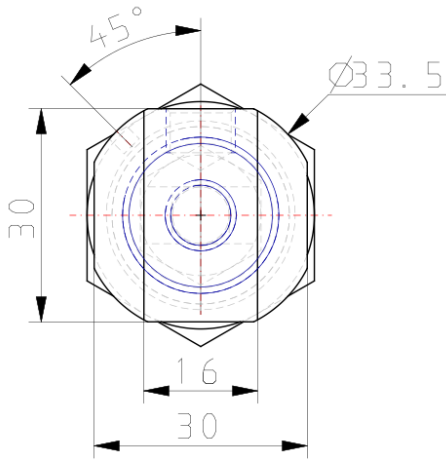
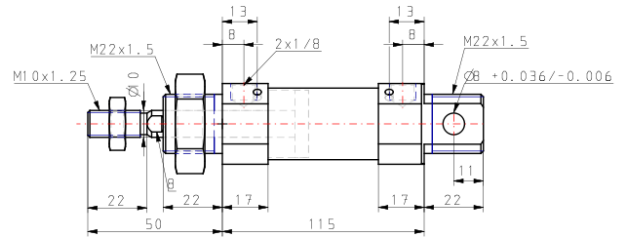
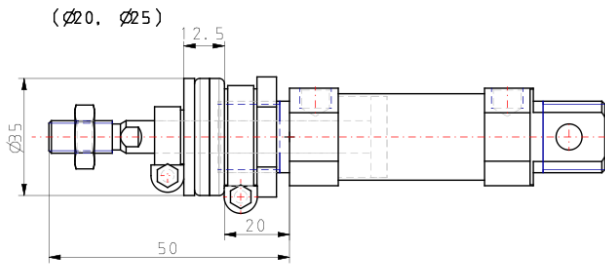


*Double-acting cylinder with cushioning  
adjustable at both ends, single piston rod*

## Standard Specifications

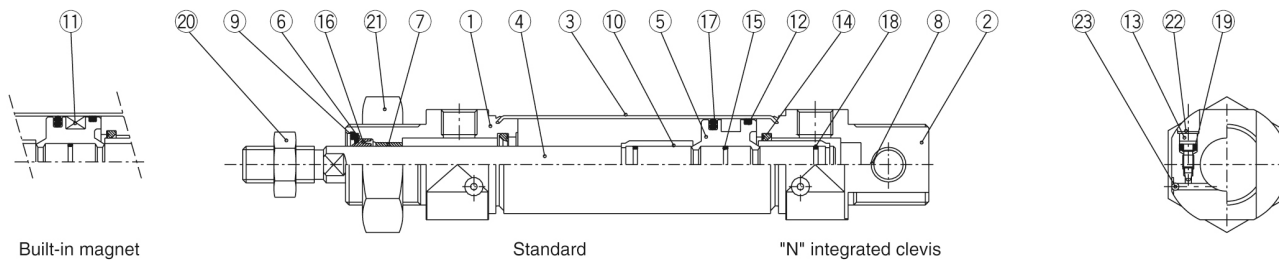
Magnet	Built-in Magnet
Mounting	Basic Integrated Clevis
Bore Size	25mm
Stroke	50 mm
Cushion	Air Cushion
Rod Boot	None
Auto Switch Mounting Type	Band
Pressure medium	Compressed Air
Maximum temperature of pressure medium	80°C
Maximum temperature of pressure medium with magnet	60°C
Minimum temperature of pressure medium	-20°C [without condensation]
Minimum temperature of pressure medium with magnet	-10°C [without condensation]
Maximal operating pressure	1 MPa
Minimum operating pressure	0.05 MPa
Proof pressure	1.5 Mpa
Maximum ambient temperature	80°C
Maximum ambient temperature with magnet	60°C
Minimum ambient temperature	-20°C
Minimum ambient temperature with magnet	-10°C
Conform to the European RoHS Directive	Not conform
Number of pneumatic connections	2 pcs.
Pneumatic input connection	G 1/8
Pneumatic output connection	G 1/8
Mode of operation of drive	Double acting
Theoretical cylinder force, advance stroke (at 0.5 MPa)	245.5 N
Theoretical cylinder force, return stroke (at 0.5 MPa)	206.2 N
Maximum piston speed	1500 mm/s
Type of cushioning	Air cushion
Piston rod end	External thread
Geometric form of the piston rod	Single rod
Malethread of rod end	M10 x 1.25
Usable tubing material	PU
Weight	0.308 kg

# Dimensions



## Constructions

### C□85□20, 25 Air cushion



Built-in magnet

Standard

"N" integrated clevis

### Component Parts

No.	Description	Material	Quantity	Remarks
①	Rod cover	Aluminum alloy	1	White anodized
②	Head cover N	Aluminum alloy	1	White anodized
③	Cylinder tube	Stainless steel	1	
④	Piston rod	Carbon steel	1	Hard chrome plated
⑤	Piston	Aluminum alloy	1	Chromated
⑥	Plain washer	Carbon steel	1	Nickel plated
⑦	Bushing	Sintered bronze	1	
⑧	Bushing	Sintered bronze	1	
⑨	Retaining ring	Carbon steel	1	Nickel plated
⑩	Cushion ring	Copper alloy	2	Hard chrome plated
⑪	Magnet		1	
⑫	Wear ring	Phenolic resin	1	

No.	Description	Material	Quantity	Remarks
⑬	Cushion valve	Carbon steel	2	Nickel plated
⑭	Cushion seal	Urethane	2	
⑮	Piston gasket	NBR	1	
⑯	Rod seal	NBR	1	
⑰	Piston seal	NBR	1	
⑱	Cushion ring gasket	NBR	2	
⑲	Cushion valve packing	NBR	2	
⑳	Rod end nut	Carbon steel	1	Nickel plated
㉑	Mounting nut	Carbon steel	1	Nickel plated
㉒	Self locking ring	Stainless steel	2	
㉓	Steel ball	Stainless steel	2	

## Additional information

Catalogue

[C85\\_C75-A\\_EU.pdf](#)

## Related Products



**D-M9N**  
D-\*\*PC, Pre-wired Connector Auto Switch



**D-M9NW**  
D-\*\*PC, Pre-wired Connector Auto Switch



**D-A96**  
A90/A93/A96, Reed Switch, Direct Mounting, Grommet, In-line



**AS2201F-G01-06SA**  
AS\*2/3\*1F-A, Speed Controller with One-touch Fitting, Push Lock, Elbow/Universal Type



**AS2301F-G01-06SA**  
AS\*2/3\*1F-A, Speed Controller with One-touch Fitting, Push Lock, Elbow/Universal Type



**AS2002F-06A**  
AS\*2F-A, Speed Controller, One-touch Fitting, In-line, Push Lock



**KQ2H06-G01AS**  
KQ2H, One-touch Fitting White Color - Male Connector



**TU0604BU-20**  
TU, Polyurethane Tubing, Metric Size



**AR**  
AR10-60, Modular Style Regulator



**SY**  
SY3000/5000/7000, Subplate for Single Unit New SY, IP67 Compliant



**RB**  
RB, Shock Absorber